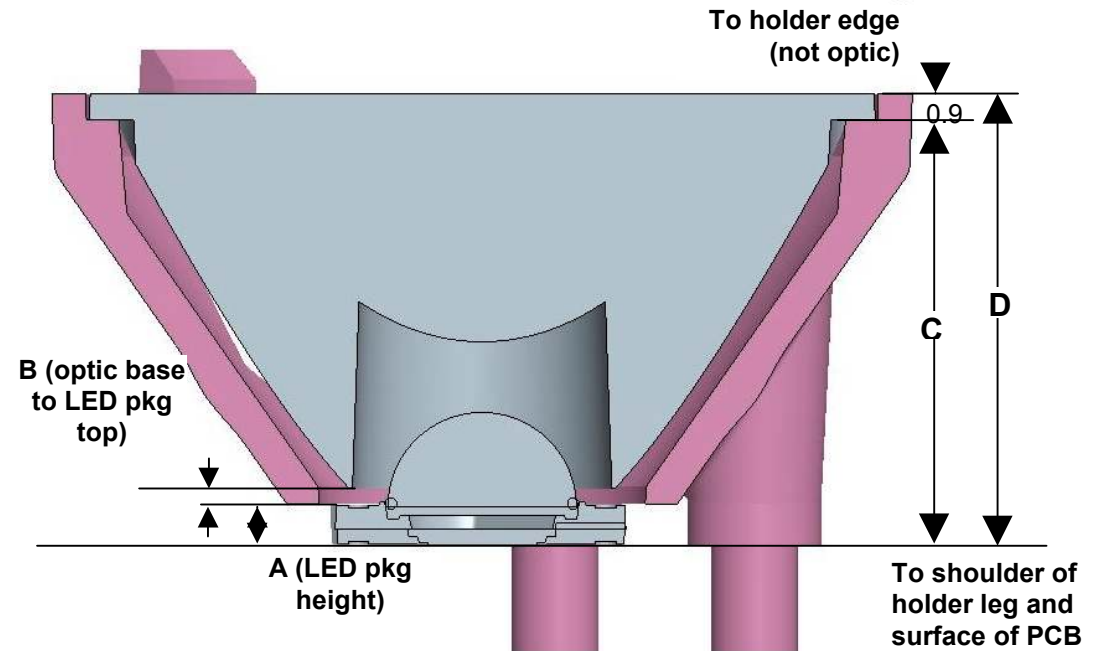
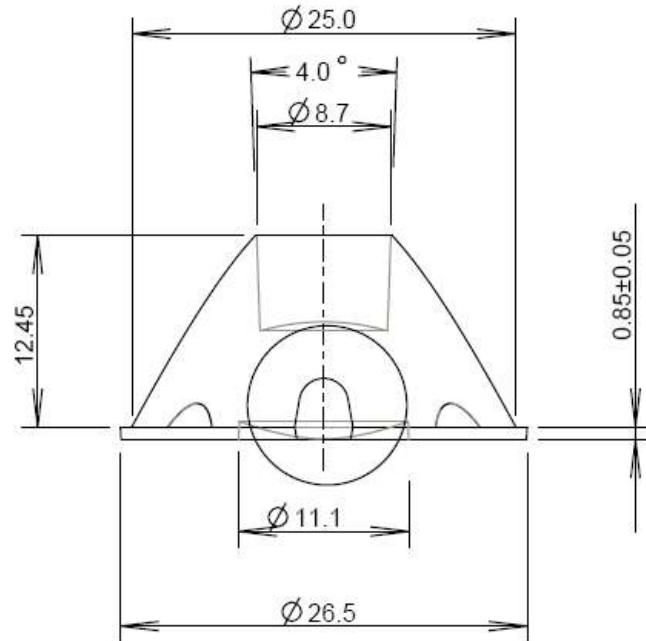


Ø26.5mm MULTI-CHIP OPTIC

Iss. 08-Oct-9

Part No.	TYPE
10391	Plain Tight
10392	Narrow Frosted
10393	Medium Frosted
10394	Wide Frosted
10395	Elliptical
10396	Elliptical Ortho





Notes:

- CARCLO multi-chip holder compatible with LED package mounted on 19.9mm (across flats) star board, otherwise drill holes on PCB for location pegs on legs. Refer to Drawing 60475 for hole separation
- The multichip holder leg height includes an extra 1.0mm for the AcuLED since only a 13mm (across flats) star board is available. The CARCLO holder reaches over the AcuLED star board so that the holder sits directly on the PCB (and not the star board).

Ø26.5mm MULTI-CHIP OPTIC

Iss. 08-Oct-9

MANUFACTURER	TYPE	HEIGHTS REF. TO DRAWING ABOVE (mm)				WHITE HOLDERS			BLACK HOLDERS			Recommended LED Package to use from Manufacture
		A	B	C	D	4.3 PEG	2.0 PEG	0.8 PEG	4.3 PEG	2.0 PEG	0.8 PEG	
Seoul SC 	P5-II ¹	1.0	+ 0.15	13.6	14.4	10442	10452	10462	10472	10482	10492	Emitter
	Acriche 2000 ¹	2.15	TBC	TBC	TBC	To mount see note 1 below						Emitter

MANUFACTURER	TYPE	CARCLO OPTIC		Eff	FWHM	Cd/lm
		Part No.	TYPE	%	Deg	
Seoul SC 	P5-II ¹	10391	Plain Tight	-	-	-
		10392	Narrow Frosted	82.8	15.4	8.9
		10393	Medium Frosted	79.6	23.9	3.0

Notes:

3. CARCLO multi-chip holder compatible with LED package mounted on 19.9mm (across flats) star board, otherwise drill holes on PCB for location pegs on legs. Refer to Drawing 60475 for hole separation
4. The multichip holder leg height includes an extra 1.0mm for the AcuLED since only a 13mm (across flats) star board is available. The CARCLO holder reaches over the AcuLED star board so that the holder sits directly on the PCB (and not the star board).

Ø26.5mm MULTI-CHIP OPTIC

Iss. 08-Oct-9

