

INPUT POWER
48VDC

PWM IN
GND

3.3V REGULATOR

MAX16832 Demo With On-Board LEDs and PWM Generation

RD120809JC

6/14/2010

C:\Documents and Settings\...

CURRENT MEASUREMENT
650mV = 1A

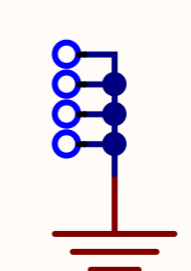
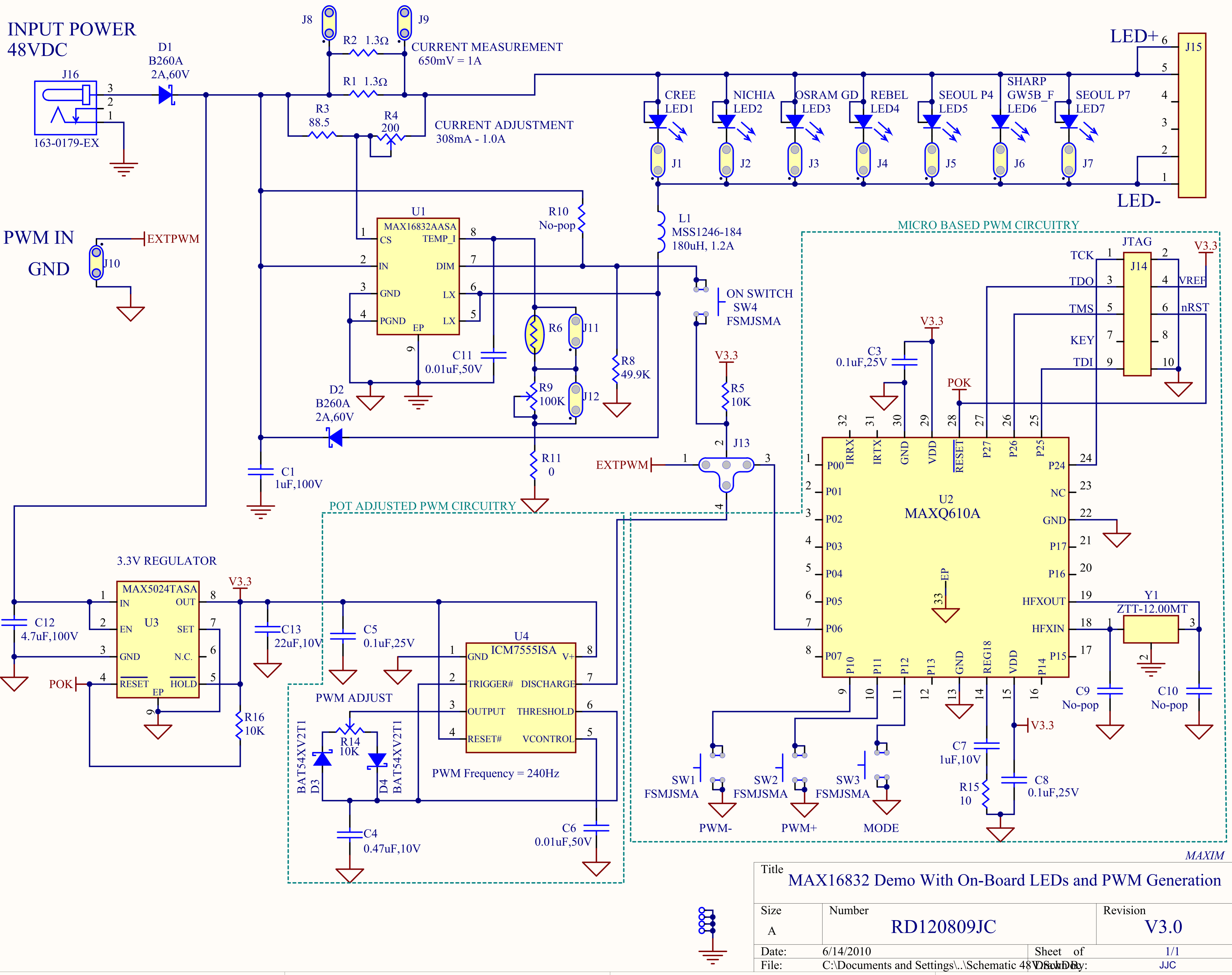
CURRENT ADJUSTMENT
308mA - 1.0A

MICRO BASED PWM CIRCUITRY

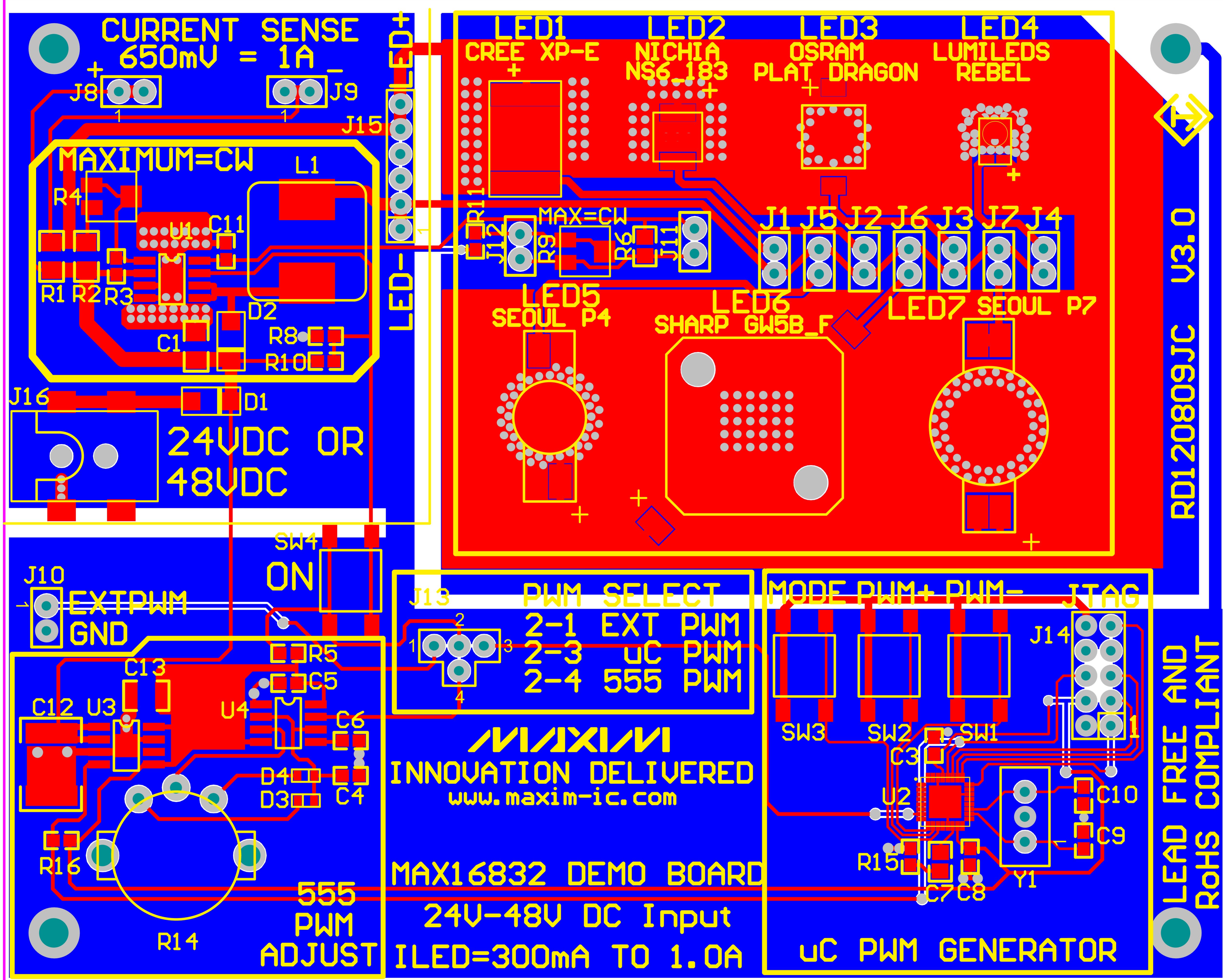
POT ADJUSTED PWM CIRCUITRY

PWM Frequency = 240Hz

Title		
Size	Number	Revision
A	RD120809JC	V3.0
Date:	6/14/2010	Sheet of 1/1
File:	C:\Documents and Settings\...	Drawn By: JJC



3942.00 (mil)



CURRENT SENSE
650mV = 1A

MAXIMUM=CW

24VDC OR
48VDC

555
PWM
ADJUST

MAXIM
INNOVATION DELIVERED
www.maxim-ic.com

MAX16832 DEMO BOARD
24V-48V DC Input
ILED=300mA TO 1.0A

uC PWM GENERATOR

LED1 CREE XP-E
LED2 NICHIA NS6_183
LED3 OSRAM PLAT_DRAGON
LED4 LUMILEDS REBEL
LED5 SEOUL P4
LED6 SHARP GW5B_F
LED7 SEOUL P7

J13 PWM SELECT

2-1	EXT PWM
2-3	uC PWM
2-4	555 PWM

MODE PWM+ PWM- JTAG

LEAD FREE AND
ROHS COMPLIANT

RD120809JC V3.0

4900.00 (mil)