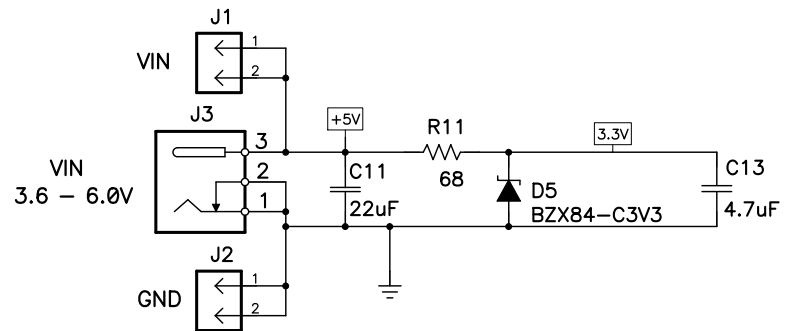
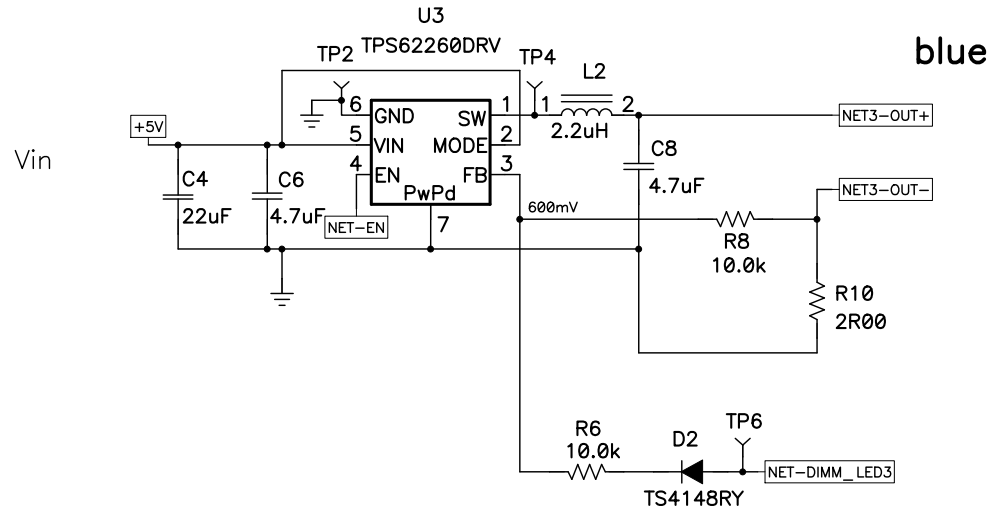
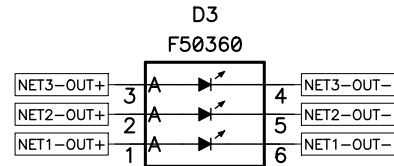
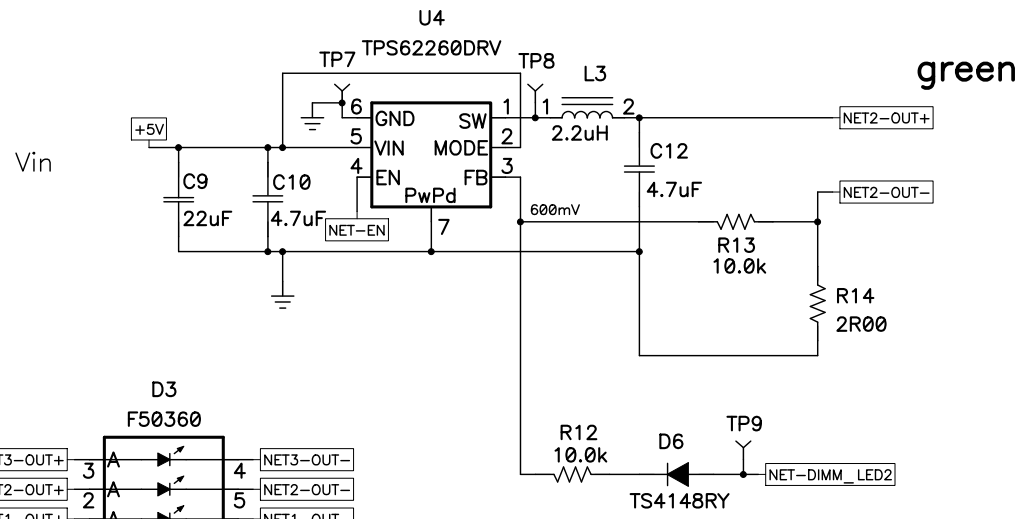
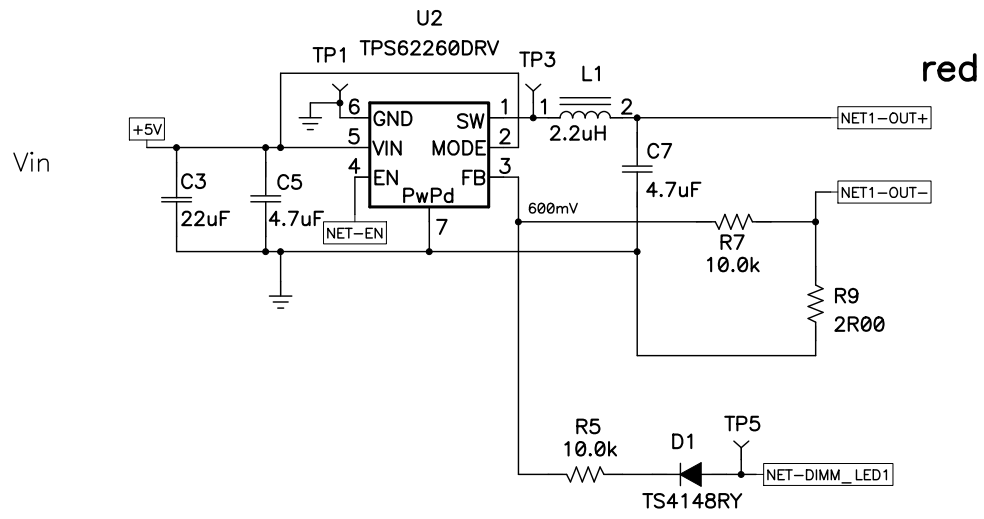


Texas Instruments

Title Triple LED Driver		
Size A3	Number PMP2705	Rev B
Date 10/31/2008	Drawn by R.Flesch	
Filename PMP2705RevB.SCH	Sheet 1 of 2	



R9, R10, R14 2 Ohm => 300 mA
 R9, R10, R14 1.69 Ohm => 350 mA

Texas Instruments

Title Triple LED Driver		
Size A3	Number PMP2705	Rev B
Date 10/31/2008	Drawn by R.Flesch	
Filename PMP2705RevB.SCH	Sheet 2 of 2	